

AQUA  
eco

quality plumbing solutions



ECO FRIENDLY WATER  
PRODUCTS



Aquazone was established in England in 2008 to provide quality plumbing solutions to the international market.

Aqua-eco products are focussed on water efficiency, meeting many international standards.

The Cistern Solutions offer varying wall depths and have been used in many large residential and institutional project (i.e. New York University in Abu Dhabi).

The Mechanisms have the prestigious WRAS Certification and are suitable for use with most close coupled WC's produced to European standards. Our water savers and non-concussive push taps have helped many of our clients achieve LEED, ESTIDAMA or local equivalent water sustainability standards.

# INDEX

CONCEALED CISTERNS	-----	2-5
FLUSH PLATES	-----	6
FRAMES	-----	7
MECHANISMS	-----	8-9
WATER SAVERS	-----	10
PUSH TAPS	-----	11

# Universal Frame and Cistern (12cm) for Wall-Hung WC



## AQE-K101-A5-ESG1 (FOR WALL HUNG WC)

Grey Universal frame height 114 cm

Thickness of cistern 12 cm

Galvanized leg supports, adjustable from 0 - 20 cm

Concealed cistern fully insulated against condensation

Adjustable dual flush valve 3 - 6 litres

Water supply connection at the Top - R 1/2"

Flush bend included

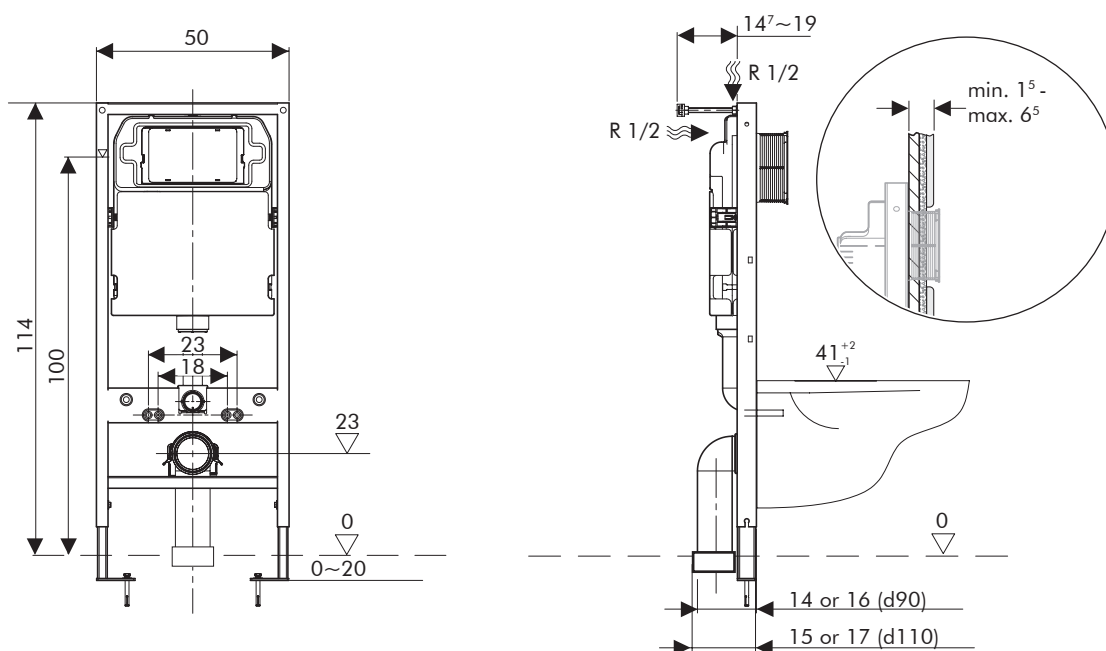
WC connection set, dia. 90 mm

WC outlet bend, HDPE, dia. 90/110 mm

Supplied with wall fixing kit

2 |

## Technical Specification



# Universal Frame and Cistern (8cm) for Wall Hung WC



## AQE-K301-A5-ESG1 (FOR WALL HUNG WC)

Grey Universal frame height 114 cm

Thickness of cistern 8 cm

Galvanized Leg Support

Concealed cistern fully insulated against condensation

Adjustable dual flush valve 3 - 6 litres

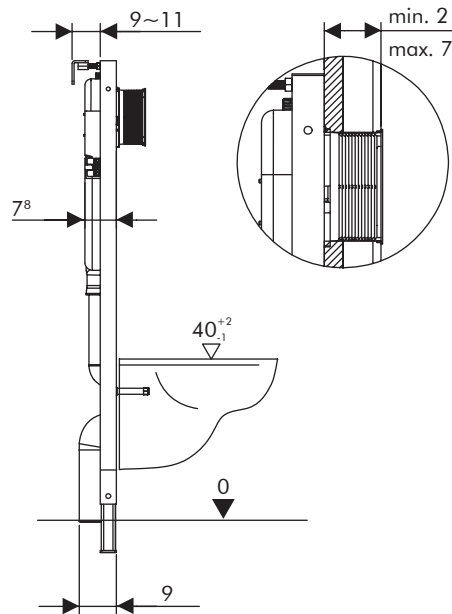
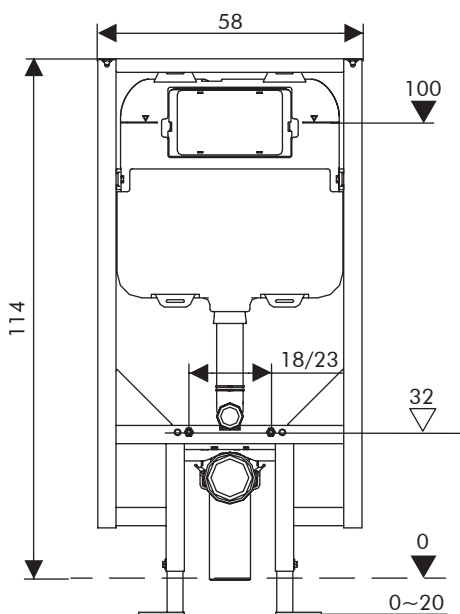
Water supply connection at the Top - R 1/2"

Flush bend included

WC connection set, dia. 90 mm

WC outlet bend, HDPE, dia. 90/110 mm

## Technical Specification



# Universal Concealed Cistern



## AQE-K301-B5-ESG1

Concealed cistern fully insulated against condensation

Thickness of cistern 8 cm

Adjustable dual flush valve 3 - 6 litres

Water supply connection at the Top - R 1/2"

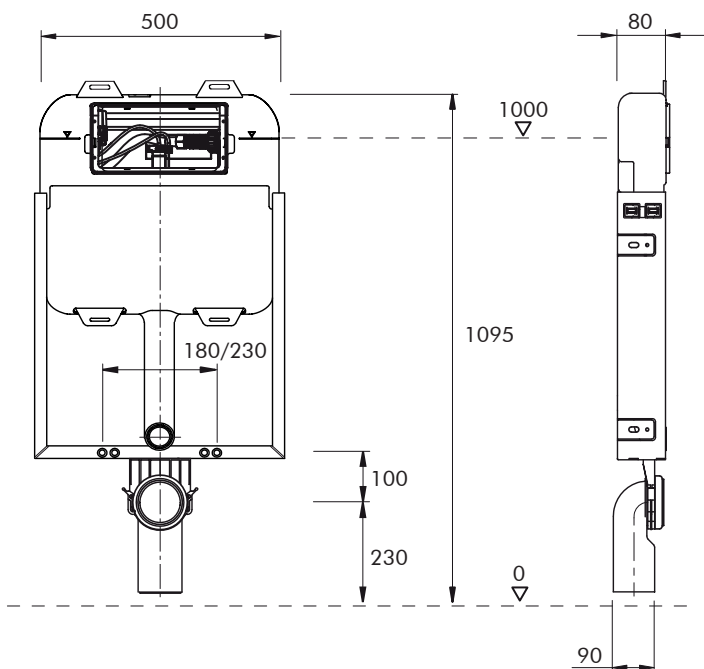
Flush bend included

Supplied with wall fixing kit

Galvanized steel frame

4

## Technical Specification



# Universal Frameless Concealed Cistern



## **AQE-K301-D5-ESG1 (FOR BACK TO WALL WC)**

Concealed cistern fully insulated against condensation

Thickness of cistern 8 cm

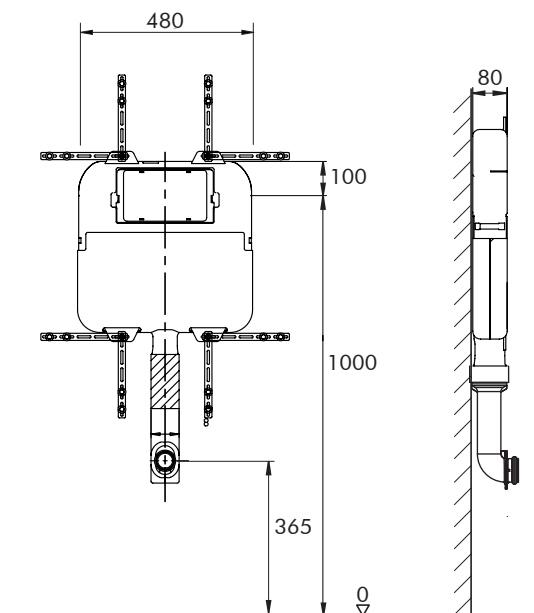
Adjustable dual flush valve 3 - 6 litres

Water supply connection at the Top - R 1/2"

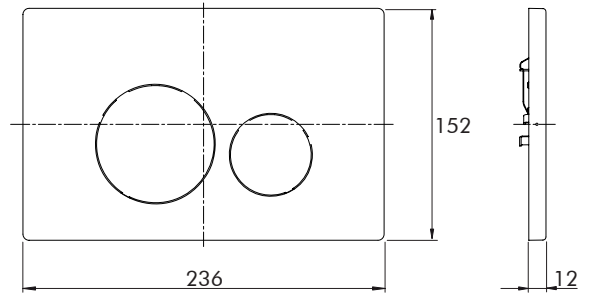
Flush bend included

Slotted flat irons for fixing

## Technical Specification



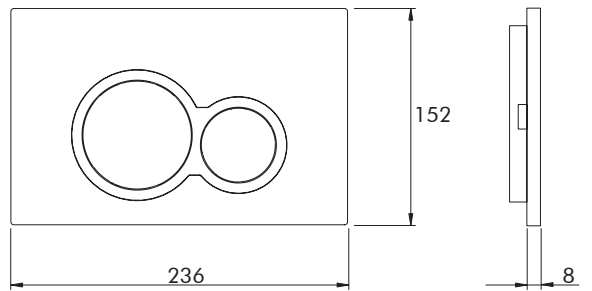
# Flush Plates (Dual Flush)



**AQE-K5080-K-ESG1**      Stainless Steel

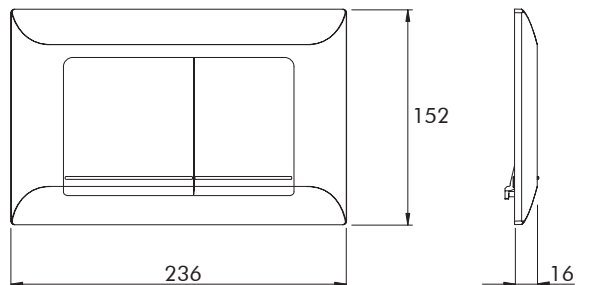
**AQE-K5080-K-ESG2**      Stainless Steel Polished

6 |



**AQE-K5130-K-ESG2**      Chrome with Matt Chrome Trim

**AQE-K5130-K-ESG4**      Matt Chrome with Chrome Trim



**AQE-K5031-K-ESG2**      Matt Chrome

**AQE-K5031-K-ESG3**      Chrome



# Side Inlet Mechanism - Dual Flush

## AQE-T0001-SI

Dual Flush - 3 - 6 litres

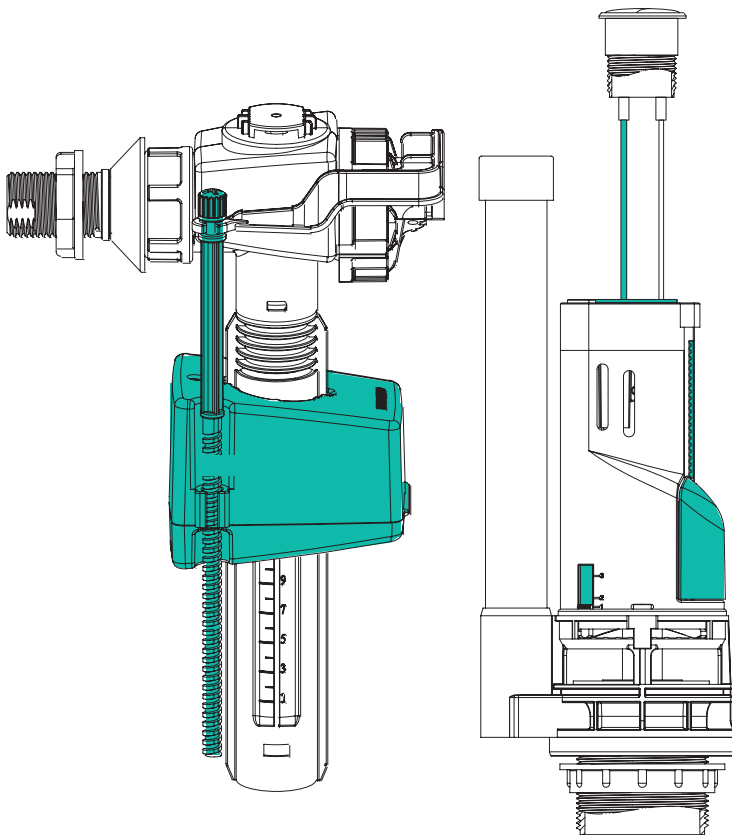
Adjustable float - variation 100 mm

Pressure ranges 0.3 - 10 bar

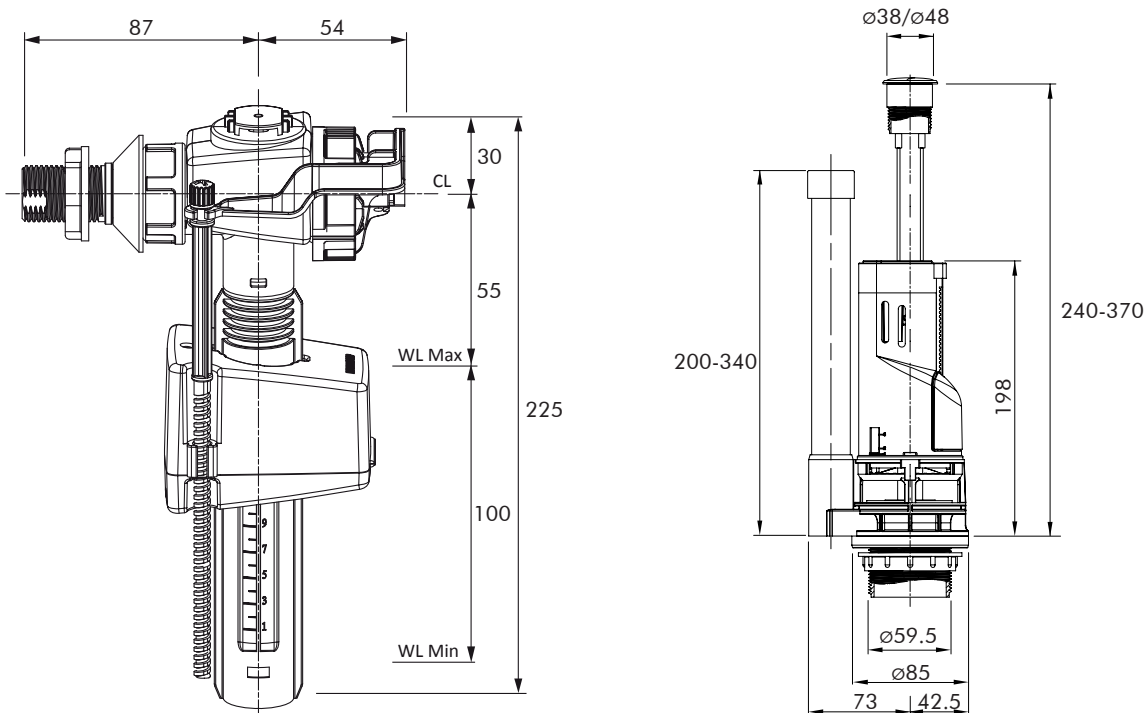
Connections: 3/8" in brass

Universal installation for most European WC cisterns

Approvals:



## Technical Specification



# Bottom Inlet Mechanism - Dual Flush

## AQE-T0001-BI

Dual Flush - 3 - 6 litres

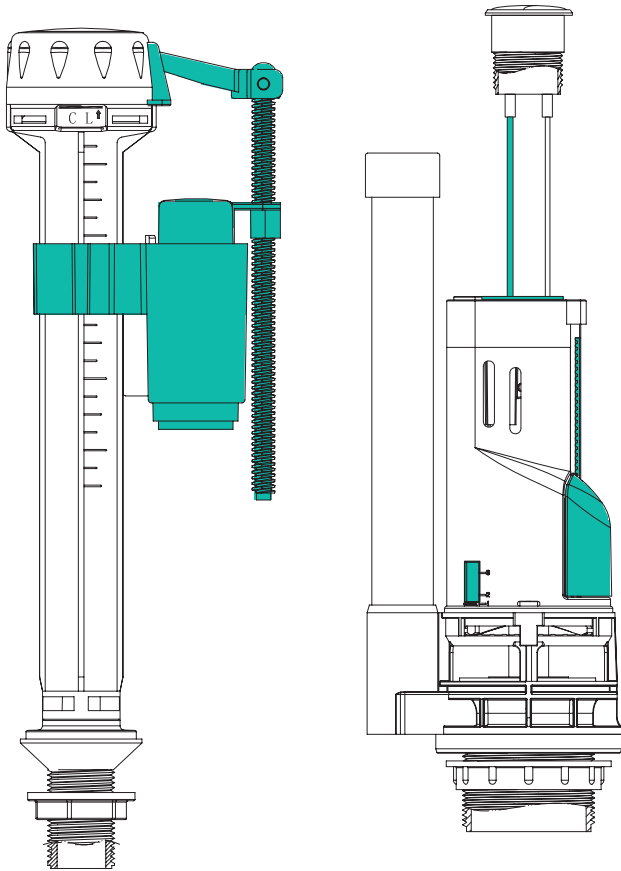
Adjustable float - variation 100 mm

Pressure ranges 0.3 - 10 bar

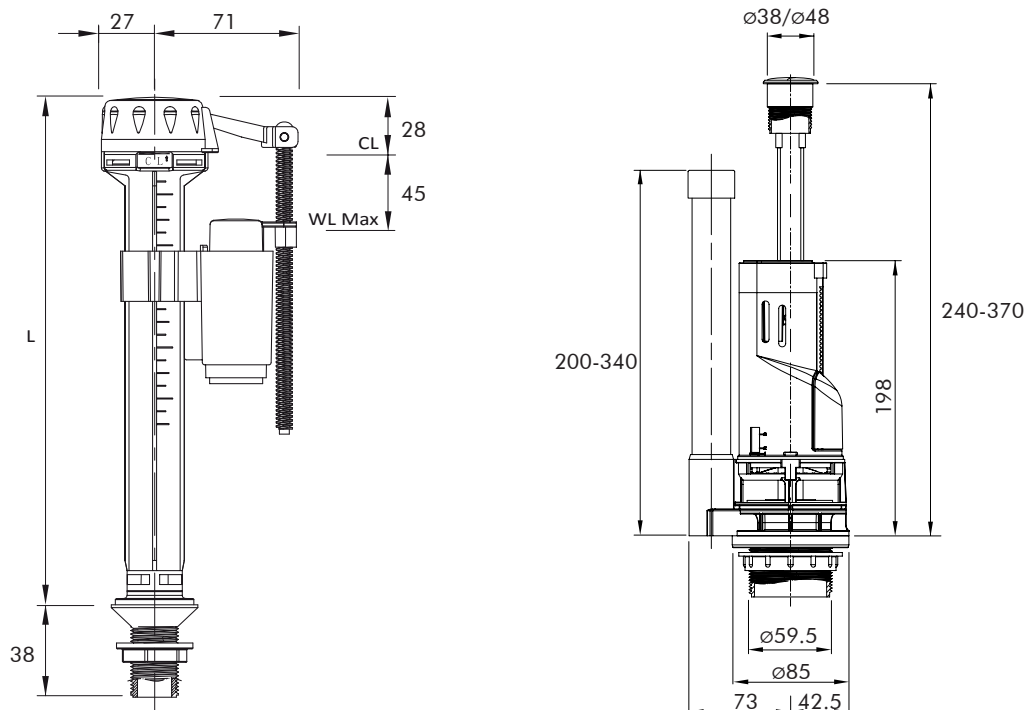
Connections: 1/2" in plastic

With or without refill function available

Approvals:



## Technical Specification



## Water Savers



### **AQE-290-5**

For Basin Mixer  
Aerator M24x1 with flow-limiting device at 5 l/min



### **AQE-291-5**

For Basin Mixer  
Aerator F22x1 with flow-limiting device at 5 l/min



### **AQE-292-5**

For Bath/Shower Mixer  
Connection MF1/2 with flow-limiting device at 5 l/min

### **AQE-292-12**

For Bath/Shower Mixer  
Connection MF1/2 with flow-limiting device at 12 l/min



WATER SAVERS can REDUCE WATER USE by up to 50%, SAVE ENERGY and CUT water and energy COSTS

## Push Taps



**AQE-ECO-711112-A-CP**

Eco Push Deck Mounted Tap  
Chrome



**AQE-ECO-711113-A-CP**

Eco Push Deck Mounted Tap  
Chrome



**AQE-ECO-711110-A-CP**

Eco Push Deck Mounted Tap  
Chrome



**AQE-ECO-712109-A-CP**

Eco Push Wall Mounted Tap  
Chrome



**AQE-ECO-512100-A-CP**

Eco-Push  
Concealed Shower Mixer  
Chrome

**Your Partner for Eco Friendly Solutions**



Available Aquazone Brochures



**Aquazone UK**

Unit C2, Telford Way  
41 Industrial Estate  
Wakefield, WF2 0XW  
England, United Kingdom  
t +44 1977 665231  
f +44 1977 665235

[info@aquazone-uk.com](mailto:info@aquazone-uk.com)

[www.aquazone-uk.com](http://www.aquazone-uk.com)